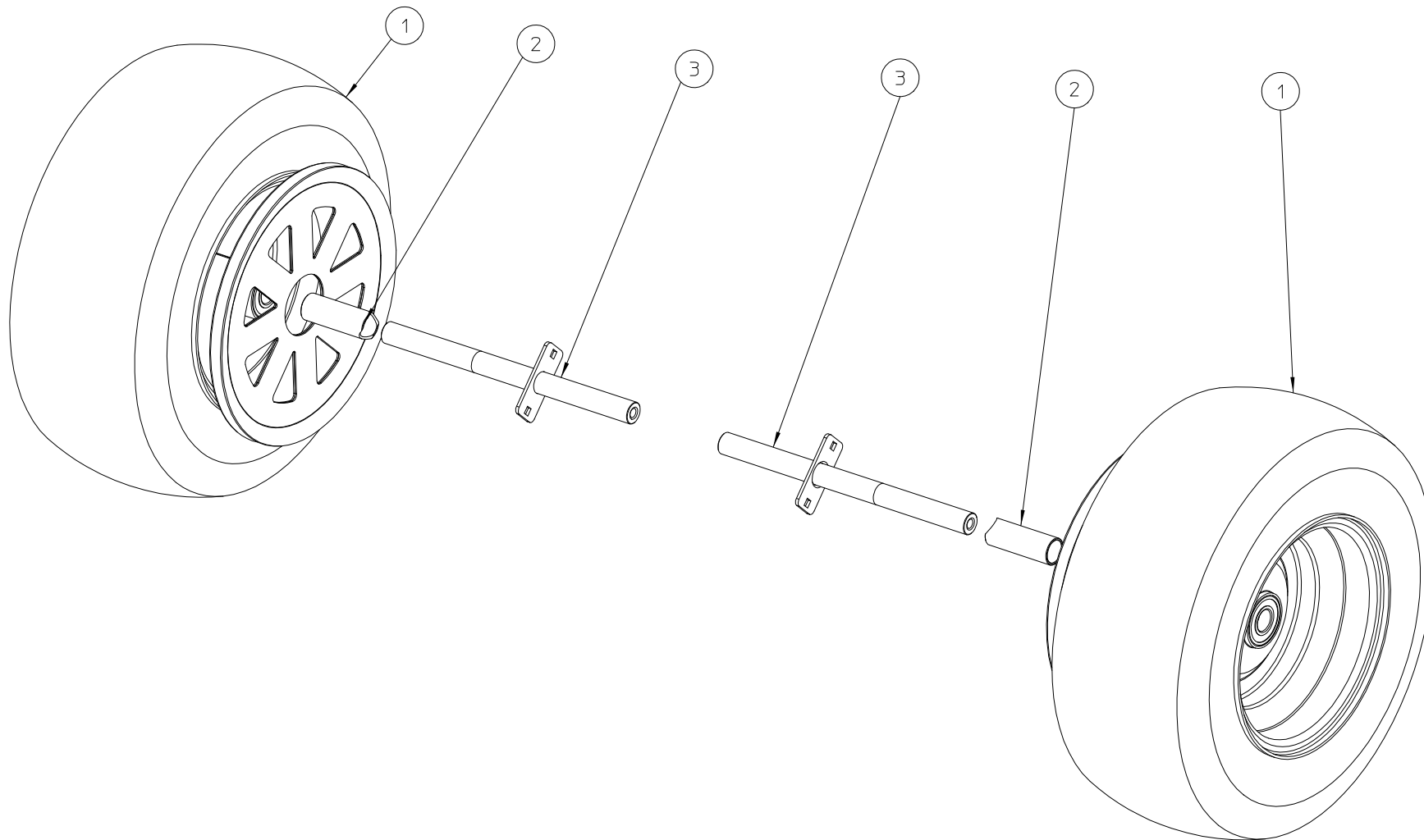


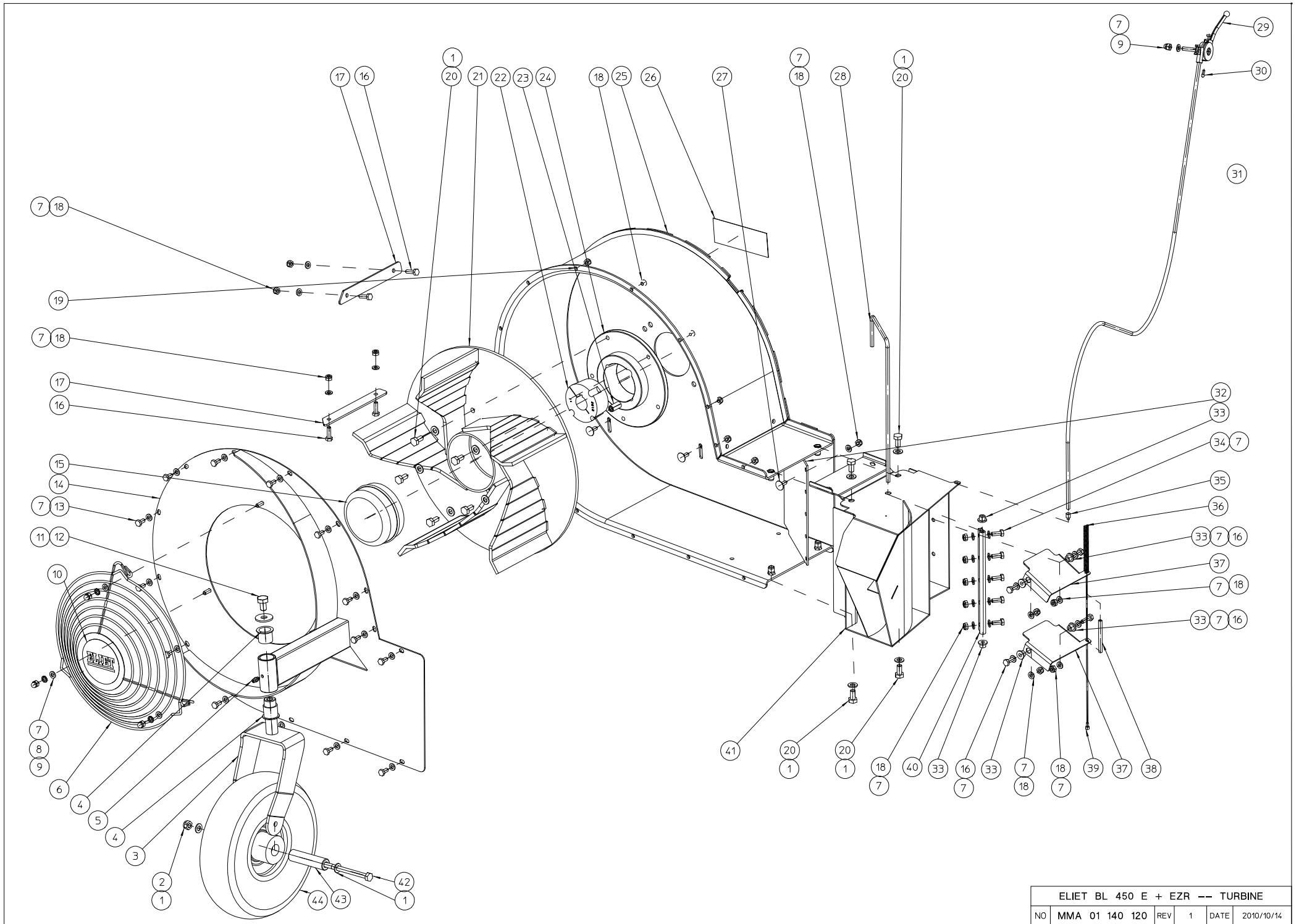
ELIET BL 450 EZR -- GENERAL					
NO	MMA 01 140 200	REV	1	DATE	2010/10/16

#	Order nr	article description	quantity
500	MMA 01 140 260	option big wheels	1
501	MMA 01 140 120	turbine	1
502	MMA 01 140 220	transmission	1
504	MMA 01 140 210	chassis	1
505	MMA 01 140 250	option sulky	1



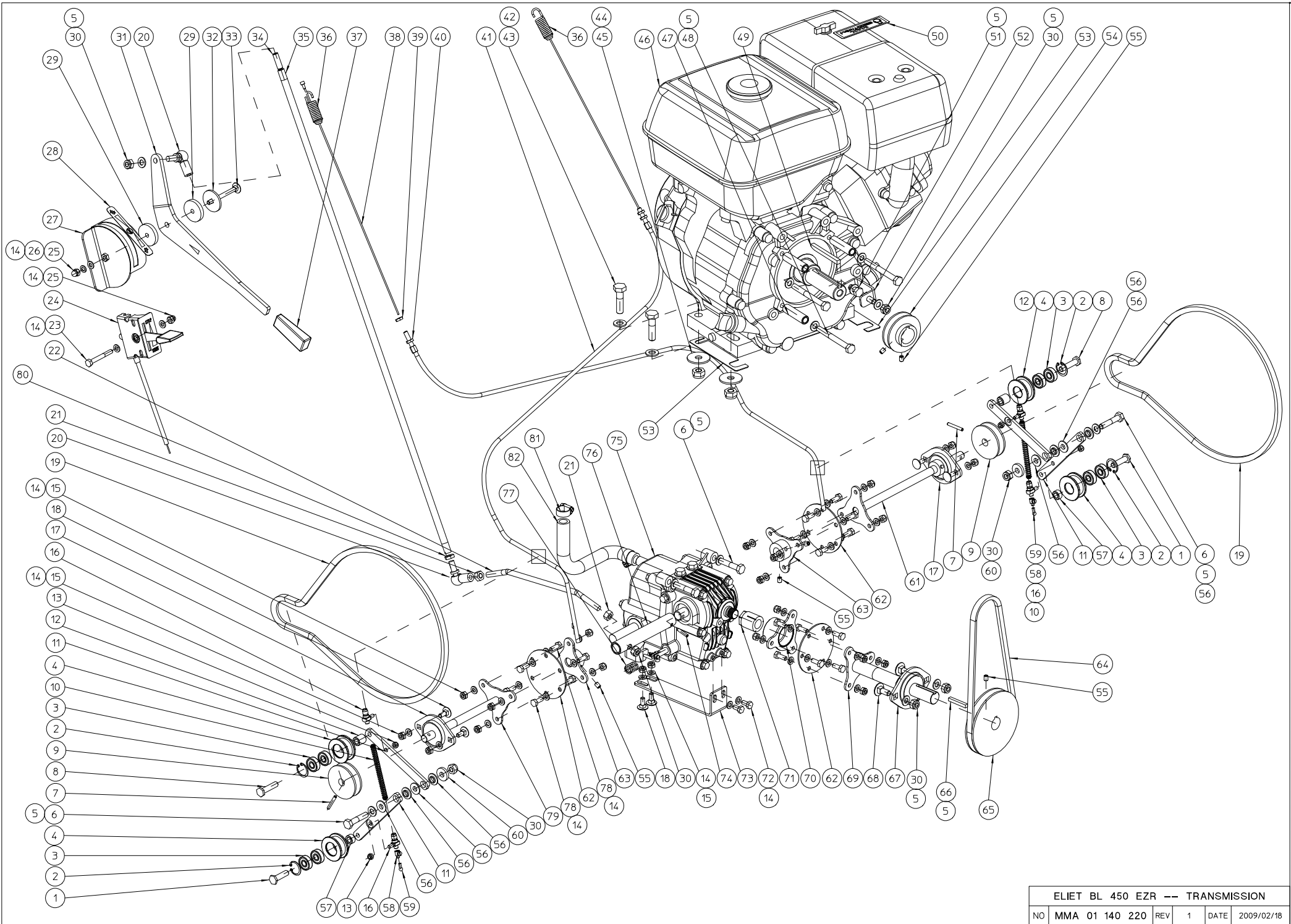
ELIET BB 450 EZR-OPTIE BREEDE WIELEN					
NO	MMA 01 140 260	REV	1	DATE	2009/10/13

#	Order nr	article description	quantity
1	BW 040 020 030	wheel 16x6.50-4	2
2	MPA 01 140 340	spacer big wheel	2
3	MPA 01 140 335	wheel axle big wheels	2



ELIET BL 450 E + EZR --- TURBINE							
NO	MMA 01 140 120	REV	1	DATE	2010/10/14		

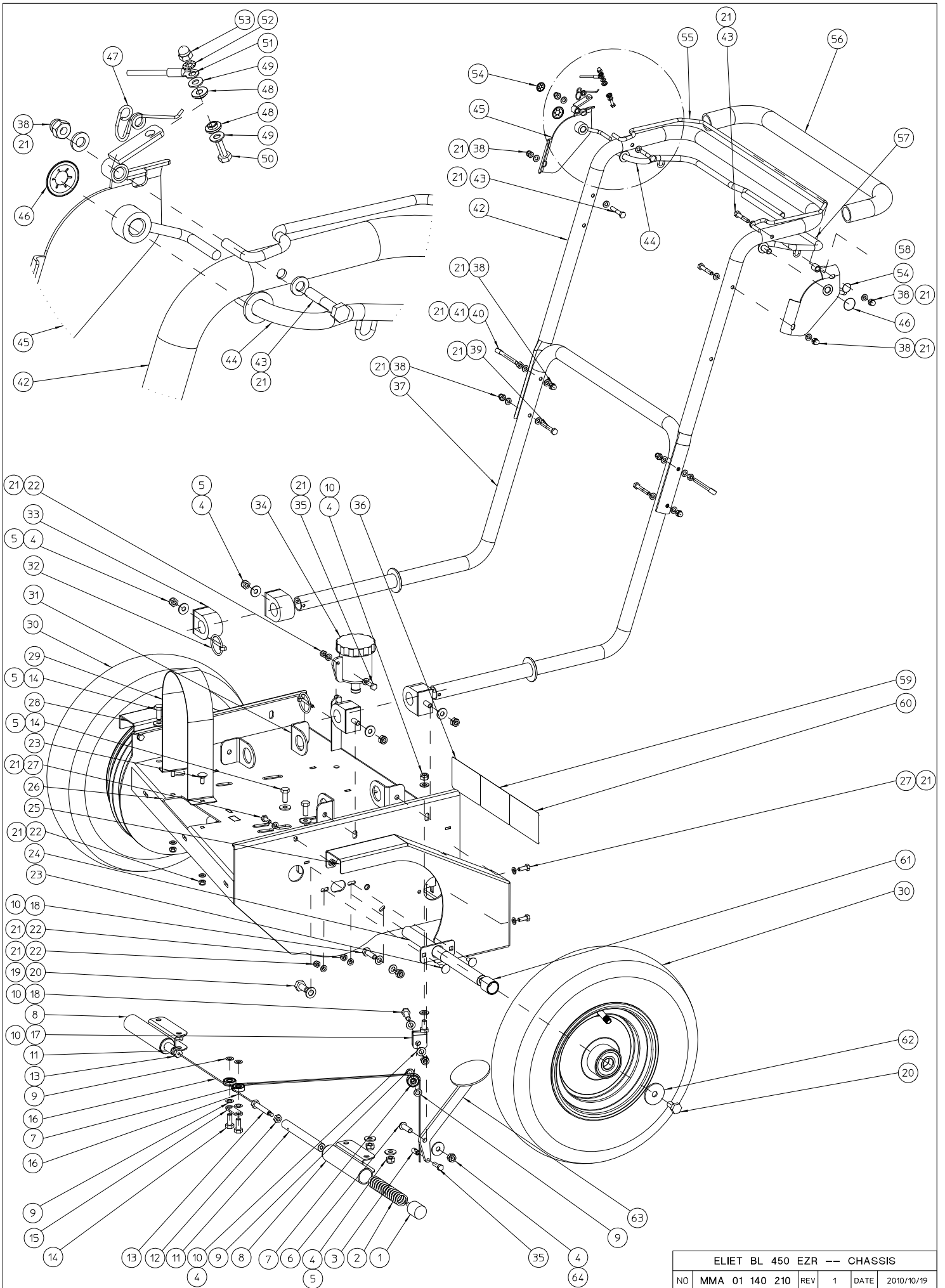
#	Order nr	article description	quantity
1	BS 531 000 800	washer m8 din 125	11
2	BS 502 000 800	self locking nut m8 din 985	1
3	MPA 01 140 020	wheel fork	1
4	BR 112 202 100	nylon bushing with collar (20/24/29x21/1)	2
5	BY 100 106 100	grease fitting m6 din 71412	1
6	MPA 01 140 190	grid protection suction inlet	1
7	BS 531 000 600	washer m6 din 125	43
8	BS 534 000 600	lock washer m6 din 6798a	3
9	BS 505 500 600	nut m6 din 1587	4
10	BQ 501 010 070	sticker eliet Ø 82mm	1
11	BS 532 010 305	washer m10x30x2.5	1
12	BS 512 001 016	bolt m10x16 din 933	1
13	BS 512 000 612	bolt m6x12 din 933	14
14	MPA 01 140 160	front plate turbine	1
15	BT 162 501 081	snap cap 100x40mm	1
16	BS 512 000 620	bolt m6x20 din 933	8
17	MPA 01 140 040	fixation profile	2
18	BS 502 000 600	self locking nut m6 din 985	30
19	BR 900 001 260	rubber silencer bbl 450	1
20	BS 512 000 816	bolt m8x16 din 933	9
21	MPA 01 140 170	impeller 5 wings alu	1
22	BB 501 251 600	taper lock tl 2012-1"	1
23	BB 501 311 220	set screw 7/16"x7/8"	1
24	BA 281 753 201	flange Ø175x32 - tl 2012	1
25	MPA 01 140 140	turbine housing	1
26	BQ 505 010 010	identity sticker ce 120x30	0
27	BS 554 100 616	bolt m6x16 din 603	3
28	BV 914 000 060	handle for positioning bbl 450	1
29	BN 312 408 500	control handle	1
30	BK 213 020 010	cable end	1
31	BK 212 061 200	cable conductor 6x1200mm	1
32	BR 910 000 330	nylon clapper bbl 450	1
33	BR 112 060 800	nylon bushing with collar (6/10/15x8.5/2)	6
34	BS 512 000 616	bolt m6x16 din 933	5
35	BK 170 406 300	cable conductor end	1
36	BV 914 000 040	spring 1,2x8x92	1
37	MPA 01 140 180	control valve	2
38	BK 212 060 060	cable conductor 6x60mm	1
39	BK 151 201 500	cable 2x1500mm	1
40	MPA 01 140 175	holder gate	1
41	MPA 01 140 130	wind flow deflector	1
42	BS 511 000 848	bolt m8x80 din 931	1
43	MPA 01 140 010	wheel shaft	1
44	BW 025 020 010	wheel complete 3.00-4	1



ELIET BL 450 EZR -- TRANSMISSION						
NO	MMA 01 140 220	REV	1	DATE	2009/02/18	

#	Order nr	article description	quantity
1	MPA 01 140 505	special bolt m8x30 din 933	2
2	BB 002 000 220	retaining ring 22 din 472	4
3	BL 000 802 203	bearing ezo 608 zz	8
4	BA 599 006 201	idler roller Ø32	4
5	BS 531 000 800	washer m8 din 125	12
6	BS 511 000 840	bolt m8x40 din 931	4
7	BB 120 040 300	locking 4x30 din 1481	2
8	MPA 01 140 510	special bolt m8x35 din 933	2
9	BA 564 705 001	pulley spz 50x12	2
10	BV 914 000 020	spring	2
11	MPA 01 140 420	support belt tightener	4
12	MPA 01 140 415	spacer 15.5 mm	2
13	BS 502 000 500	self locking nut m5 din 985	4
14	BS 531 000 600	washer m6 din 125	47
15	BS 502 000 600	self locking nut m6 din 985	24
16	BK 610 200 500	cable support m5	4
17	BL 801 101 200	bearing + flanges aspfl 201	2
18	BS 554 100 616	bolt m6x16 din 603	6
19	BA 521 109 500	belt xpz 950	2
20	BA 230 010 800	ball joint m8	2
21	BS 501 000 800	nut m8 din 934	2
22	MPA 01 140 490	link rod traction control	1
23	BS 511 000 642	bolt m6x50 din 931	1
24	BK 161 161 551	throttle control + cable	1
25	BS 505 500 600	nut m6 din 1587	2
26	BS 534 000 600	lock washer m6 din 6798a	1
27	MPA 01 140 480	support controller	1
28	BQ 501 140 100	sticker front/back	1
29	BR 800 035 086	rubber bushing (8/35x6)	2
30	BS 502 000 800	self locking nut m8 din 985	7
31	MPA 01 140 495	traction controller	1
32	MPA 01 140 485	washer traction control	1
33	BS 554 200 645	bolt m6x65 din 603	1
34	BS 023 000 825	set screw m8x25 din 916	1
35	MPA 01 140 400	link rod traction control	1
36	BV 914 000 030	spring	2
37	BN 230 100 202	plastic handgripp 15x5x6 pvc	1
38	BK 151 201 500	cable 2x1500mm	2
39	BS 501 900 600	nut m6 din 439	2
40	BK 610 100 600	cable set screw m6x34	2
41	BK 212 060 900	cable conductor 6x900mm	2
42	BS 531 001 000	washer m10 din 125	4
43	BS 511 001 040	bolt m10x40 din 931	4
44	BS 502 001 000	self locking nut m10 din 985	4
45	BS 532 010 356	washer m10x35x3	4
46	BM 202 109 000	honda gx 270	1
47	MPA 01 140 095	spacer	3
48	BS 511 040 845	bolt unf 5/16"x2"3/4	3
49	BB 342 060 668	key 6.35x6.35x68 din 6880	1
50	BQ 505 010 030	sticker max 3200 rpm 90x25	1
51	BS 512 040 816	bolt unf 5/16"x5/8"	1
52	MPA 01 140 115	spacer turbine	1

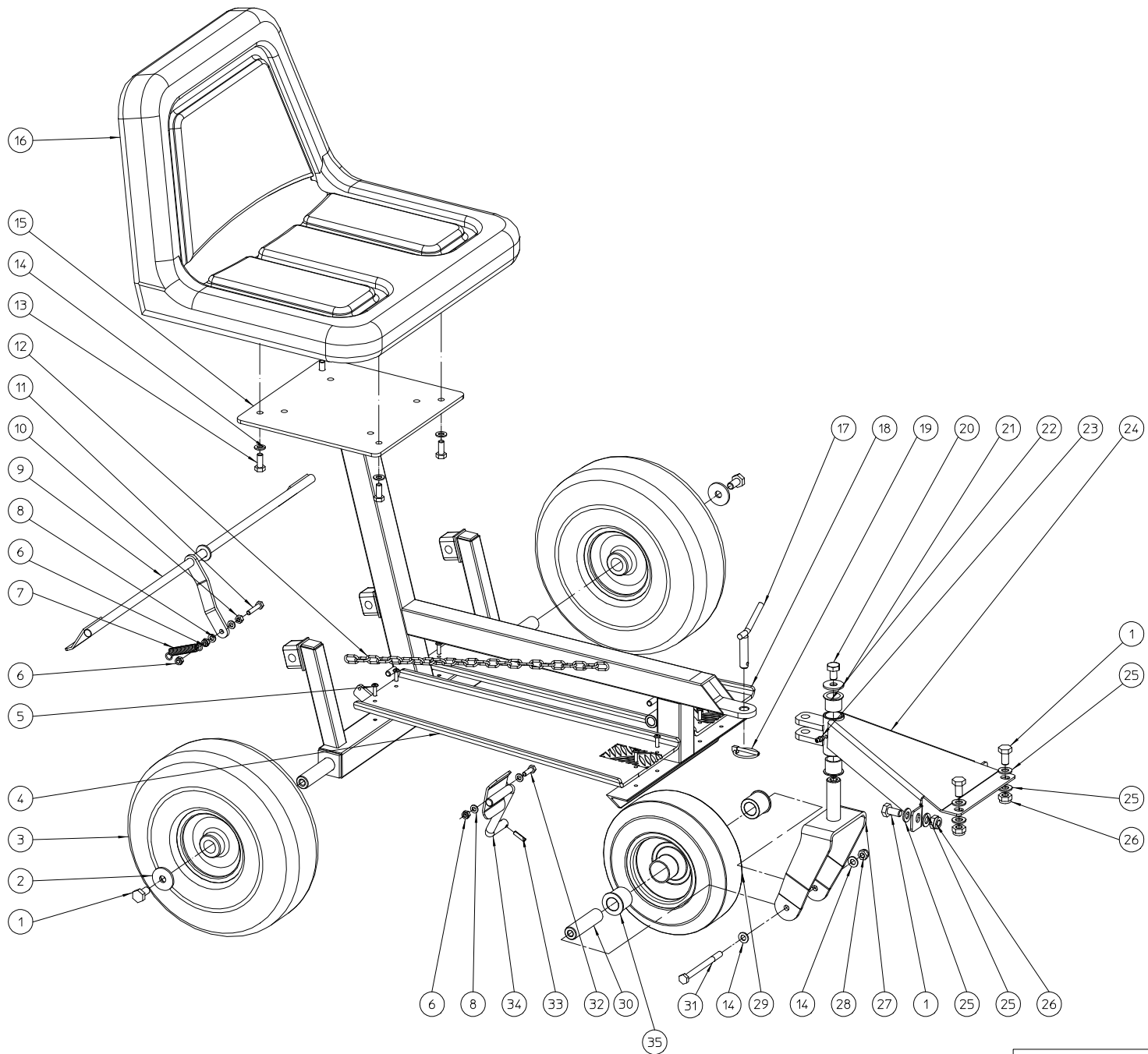
53	MPA 01 140 500	footing engine	2
54	BA 564 705 601	pulley spz 56x25.4x6.4	1
55	BS 023 000 608	set screw m6x8 din 916	7
56	BR 112 080 300	nylon bushing with collar (8.2/10.9/18x3.5/1.5)	8
57	MPA 01 140 410	spacer 7.5 mm	2
58	BK 170 207 000	cable fastener 7x10mm	2
59	BK 213 020 010	cable end	2
60	BS 531 200 800	washer m8 din 7349	2
61	MPA 01 140 350	driving spindle left wheel	1
62	BR 910 000 130	flexible coupling	3
63	MPA 01 140 375	coupling wheel traction	2
64	BA 522 606 370	belt spz 637	1
65	BA 564 710 001	pulley spz 100x20x5	1
66	BB 341 050 535	key 5x5x35 din 6880	1
67	BL 801 102 001	bearing + flanges aspfl 204	1
68	BS 554 100 820	bolt m8x20 din 603	2
69	MPA 01 140 380	driving axle pump	1
70	MPA 01 140 370	coupling hst pump	1
71	BB 503 150 250	trantorque Ø15/Ø25	1
72	BS 512 000 612	bolt m6x12 din 933	2
73	MPA 01 140 345	support hst pump	1
74	BB 120 040 200	locking 4x20 din 1481	1
75	BH 240 500 002	variable displacement pump honda vr 30s	1
76	MPA 01 140 390	axle speed control	1
77	BV 911 000 010	spring 14x2x16	1
78	BS 512 000 616	bolt m6x16 din 933	18
79	MPA 01 140 360	driving spindle right wheel	1
80	BS 501 900 800	nut m8 din 439	1
81	BT 670 112 200	hose clamp 12x20mm	2
82	BR 200 213 025	hydraulic pipe 13x19x250mm	1



ELIET BL 450 EZR -- CHASSIS						
NO	MMA 01 140 210	REV	1	DATE	2010/10/19	

#	Order nr	article description	quantity
1	BR 600 525 200	antivibration blocks 25x20d m6x18	2
2	BV 911 000 030	spring 23x3x140	2
3	MPA 01 140 545	matched turnbuckle fork	1
4	BS 502 000 800	self locking nut m8 din 985	13
5	BS 532 008 254	washer m8x25x2	12
6	BS 522 500 825	screw m8x25 iso 7380	1
7	BL 000 802 203	bearing ezo 608 zz	3
8	MPA 01 140 520	brake cylinder	2
9	BS 036 000 805	precision washer 14x8x0,5	6
10	BS 531 000 800	washer m8 din 125	8
11	MPA 01 140 525	brake shaft	2
12	BS 501 900 800	nut m8 din 439	2
13	MPA 01 140 530	adjusting screw brake cylinder	2
14	BS 512 000 820	bolt m8x20 din 933	6
15	MPA 01 140 570	mounting piece brake cable	1
16	BK 151 200 800	cable 2x800mm	2
17	MPA 01 140 540	support roller	1
18	BS 512 000 825	bolt m8x25 din 933	3
19	BS 531 001 000	washer m10 din 125	2
20	BS 512 001 020	bolt m10x20 din 933	4
21	BS 531 000 600	washer m6 din 125	30
22	BS 502 000 600	self locking nut m6 din 985	7
23	BS 554 100 616	bolt m6x16 din 603	6
24	MPA 01 140 325	axle small wheel	2
25	MPA 01 140 310	belt protection	1
26	MPA 01 140 300	chassis bl 450 ezs	1
27	BS 512 000 616	bolt m6x16 din 933	6
28	MPA 01 140 320	belt protection	1
29	MPA 01 140 285	belt protection	1
30	BW 040 020 010	wheel 4.80-4	2
31	MPA 01 140 110	support shock isolator	4
32	BB 040 304 030	locking pin with bracket 4.5x36	2
33	BR 900 000 400	antivibration blocks	4
34	BH 240 500 003	expansion tank	1
35	BS 512 000 620	bolt m6x20 din 933	2
36	BQ 505 010 040	safety sticker 60x100 (spark plug)	1
37	MPA 01 140 440	lower steering bracket	1
38	BS 505 500 600	nut m6 din 1587	8
39	BS 511 000 640	bolt m6x40 din 931	2
40	BS 551 100 644	eye bolt m6x60 din 444	2
41	BS 501 000 600	nut m6 din 934	2
42	MPA 01 140 430	upper steering bracket	1
43	BS 511 000 635	bolt m6x35 din 931	4
44	MPA 01 140 470	traction handle right	1
45	MPA 01 140 550	support plate control handle right	1
46	BB 011 000 100	starlock 10mm	2
47	BV 914 000 050	spring handle bbl 450	1
48	BR 112 060 300	nylon bushing with collar (4.2/5.9/10x3/1.3)	2
49	BS 531 000 400	washer m4 din 125	2
50	BS 512 000 412	bolt m4x12 din 933	1
51	BE 090 132 101	black wire 1.5 ce 210	1
52	BS 534 000 400	lock washer m4 din 6798a	1

53	BS 505 500 400	nut m4 din 1587	1
54	BB 011 000 060	starlock 6mm	2
55	MPA 01 140 450	safety handle (presence control)	1
56	BN 231 002 063	soft rubber grip dia 25mm (l=635mm)	1
57	MPA 01 140 460	traction handle left	1
58	MPA 01 140 555	support plate control handle left	1
59	BQ 505 010 150	safety sticker 60x100 (distance)	1
60	BQ 505 010 050	safety sticker 60x100 (pictogram)	1
61	MPA 01 140 330	spacer small wheel	2
62	BS 532 010 406	washer m10x40x3	2
63	MPA 01 140 535	brake pedal	1
64	BS 532 008 254	washer m8x25x2	1



ELIET BB 450 EZR-OPTIE SULKY						
NO	MMA 01 140 250	REV	1	DATE	2016/01/21	

#	Order nr	article description	quantity
1	BS 512 001 020	bolt m10x20 din 933	6
2	BS 532 010 356	washer m10x35x3	2
3	BW 029 020 000	wheel 4.00-4	2
4	MPA 01 140 940	step right	1
5	BB 221 105 160	pop plug alu 4.8x16 din 7337 a	8
6	BS 502 000 600	self locking nut m6 din 985	3
7	BV 912 000 020	spring idler return	1
8	BS 531 000 600	washer m6 din 125	4
9	MPA 01 140 945	brake axle	1
10	BS 501 000 600	nut m6 din 934	1
11	BS 512 000 630	bolt m6x30 din 933	1
12	BY 512 032 546	chain Ø3x13x25mm - 46cm	1
13	BS 512 000 820	bolt m8x20 din 933	4
14	BS 531 000 800	washer m8 din 125	6
15	MPA 01 140 920	chassis sulky	1
16	BY 822 539 480	seat	1
17	MPA 01 140 930	locking pin	1
18	MPA 01 140 935	step left	1
19	BB 040 304 030	locking pin with bracket 4.5x36	1
20	BS 512 001 016	bolt m10x16 din 933	1
21	BS 532 010 305	washer m10x30x2.5	1
22	BR 112 202 100	nylon bushing with collar (20/24/29x21/1)	2
23	BY 100 106 100	grease fitting m6 din 71412	1
24	MPA 01 140 900	mounting piece back wheel	1
25	BS 531 001 000	washer m10 din 125	8
26	BS 502 001 011	self locking nut m10x1.25 gr.10 din 985	4
27	MPA 01 140 020	wheel fork	1
28	BS 502 000 800	self locking nut m8 din 985	1
29	BW 321 020 160	wheel with bearing 210x65	1
30	MPA 01 140 010	wheel shaft	1
31	BS 511 000 850	bolt m8x100 din 931	1
32	BS 512 000 620	bolt m6x20 din 933	1
33	BB 120 050 200	locking 5x20 din 1481	1
34	MPA 01 140 925	brake pedal	1